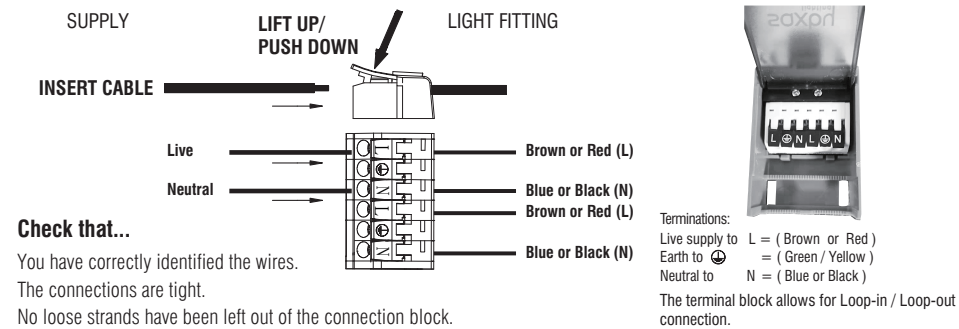


Wiring


Having correctly identified the wiring from your existing light fitting, pull the mains wire through the hole and connect to the quick fit connection block in the following way.




Technical data

Supply Voltage: 220-240 V~, 50 Hz | Bulb Type: 4/6/8W LED SMD 4CCT, 2700/3000/4000/6000K
This product contains a light source of energy efficiency class **E**.

  Non-replaceable light source |  Non-replaceable control gear

 Conformity with all relevant UKCA Directive requirements.


 Conformity with all relevant EC Directive requirements.

 The power supply is Double Insulated and does not require connection to an Earth circuit.

 Waste electrical products should not be disposed of with household waste. Please recycle where facilities exist. Check with your Local Authority or local store for recycling advice.

 This product is suitable for dimming.

 This product is fire rated to 30, 60, 90 minutes.

 This product is rated at IP65 (Below the ceiling), IP20 (Recessed parts).

Optional Colour Bezels

There are three optional colour bezels – 90377 (Satin Nickel), 90378 (Chrome) and 92513 (Matt black). Rotate the fixed bezel one quarter turn anticlockwise and pull it away from the luminaire. Select a new bezel and rotate it one quarter turn clockwise back onto the front of the luminaire.

Do not remove the rubber seal from the rear of the luminaire outer rim. Ensure that it is secure and correctly positioned to maintain the IP65 rating.

Care and Safety

We recommend cleaning with a soft dry cloth. Do not use solvents or abrasive cleaners as these could damage the finish. For your safety, always switch off the power supply before cleaning.

For further information, please visit <https://www.lighting-info.co.uk/102630>

V2 13/10/2022

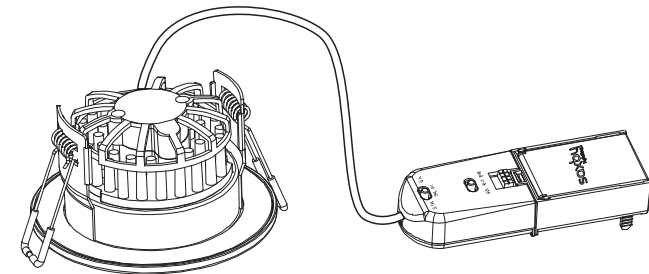
UK Manufacturer: BH17 7BY
EU Manufacturer: Brilliant AG,
Brilliantstrasse 1, D-27442 Gnarrenburg

saxby
lighting

Instruction manual

SHIELDPRO 4CCT

102630




www.saxbylighting.com

saxby
lighting

Thank you for purchasing this light fitting. Please read the instructions carefully before use to ensure safe and satisfactory operation of this product. Please retain these instructions for future reference.

Warning

 This light fitting is double insulated and does not require connection to an Earth circuit.

Please read these instructions carefully before commencing any work.

This unit must be fitted by a competent and qualified electrician.

Install in accordance with the IEE Wiring regulations and current Building Regulations.

Check the pack and make sure you have all the parts listed.

To prevent electrocution switch off at the mains supply before installing or maintaining this fitting.

Ensure other persons cannot restore the electrical supply without your knowledge.

If replacing an existing fitting, make a careful note of the connections.

This product complies with IEE Building Regulations part B and is suitable for use in 30, 60 or 90 minute fire rated ceilings.

This luminaire is suitable for use in ambient temperatures of -10°C to $+40^{\circ}\text{C}$.

This system contains non-replaceable parts and cannot be serviced. If damage occurs the part should be scrapped.

This luminaire can be loosely covered with mineral wool insulation material. However, minimum clearance distances around the luminaire must be observed: 25mm above the top of the luminaire.

Waste electrical products should not be disposed of with household waste. Please recycle where facilities exist. Check with your local authority or retailer for recycling advice.

Layout

Plan the desired layout of these fittings carefully, ensuring the cables will reach the distances between each light fitting.

Avoid locating any cables in positions that would cause a hazard. Position cables and junction boxes (not supplied) away from areas where they may be at risk from being cut, trapped or damaged.

The mains supply cable must have a minimum cross section area of 1.0mm^2 .

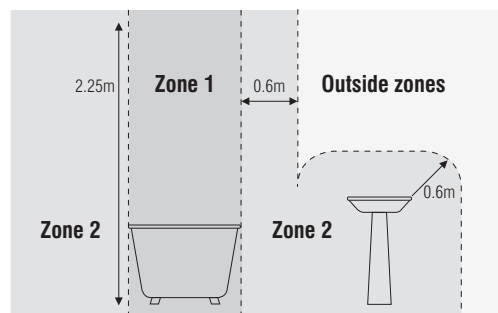
Cables must be protected using suitable conduit or plastic trunking.

When more than one downlight is installed, the minimum distance between units is 500mm. the unit must be located a minimum distance of 50mm from a joist.

This product must be mounted out of arms reach.

This product is suitable for use in zone 2 and outside zones of a bathroom. Please see diagram.

If this unit is being fitted in Zone 1 a room containing a bath or shower, a 30mA RCD must be used - in accordance with IEE regulations.



Installation

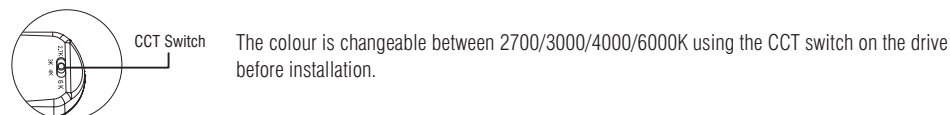
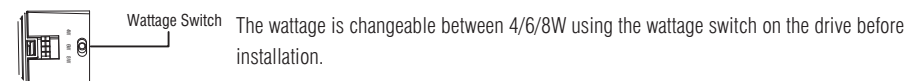
Existing fittings must be completely removed before installation of a new product. Before removing the existing fitting, carefully note the position of each set of wires.

The ceiling surface must be flat and smooth to ensure a good fit.

Note that the switch is turned off before installation.

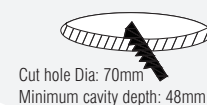
Ensure that the screws and cable entry points are sealed to maintain the IP rating of the product.

- Cut a mounting hole 70mm diameter in the ceiling taking care not to foul any pipes, mains cables or joists beneath the surface (**Ref. Fig. 1**). It is always recommended to cut the hole slightly smaller than the size specified, and then file the hole until the recessed unit fits snugly. Ensure a minimum ceiling void depth of 48mm is available.
- Open the terminal block cover. Connect the mains supply cable into the terminals (**Ref. Fig. 2**).
- **Ref. Fig. 3.** Choose your preferred wattage or colour before installing by wattage switch or CCT switch on the back of the product. **Note: Before you change the wattage or colour, please turn off the power switch for safety.**



- Push the spring clips upwards and fit into the ceiling hole, then push the unit up until firmly in position, ensuring that no cables are trapped. (**Ref. Fig. 4**).
- Ensure that the product is sitting properly in the hole.
- Switch on. Your light is now ready for use.

Fig. 1



OFF

Fig. 2

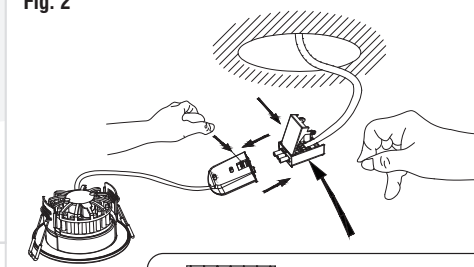


Fig. 3

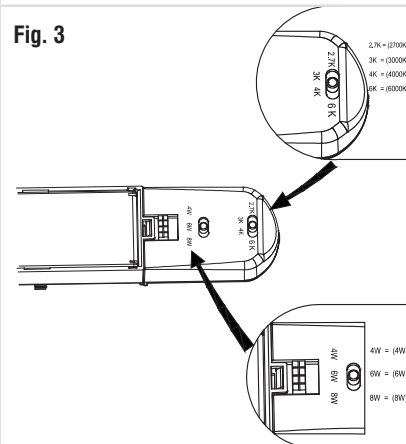


Fig. 4

